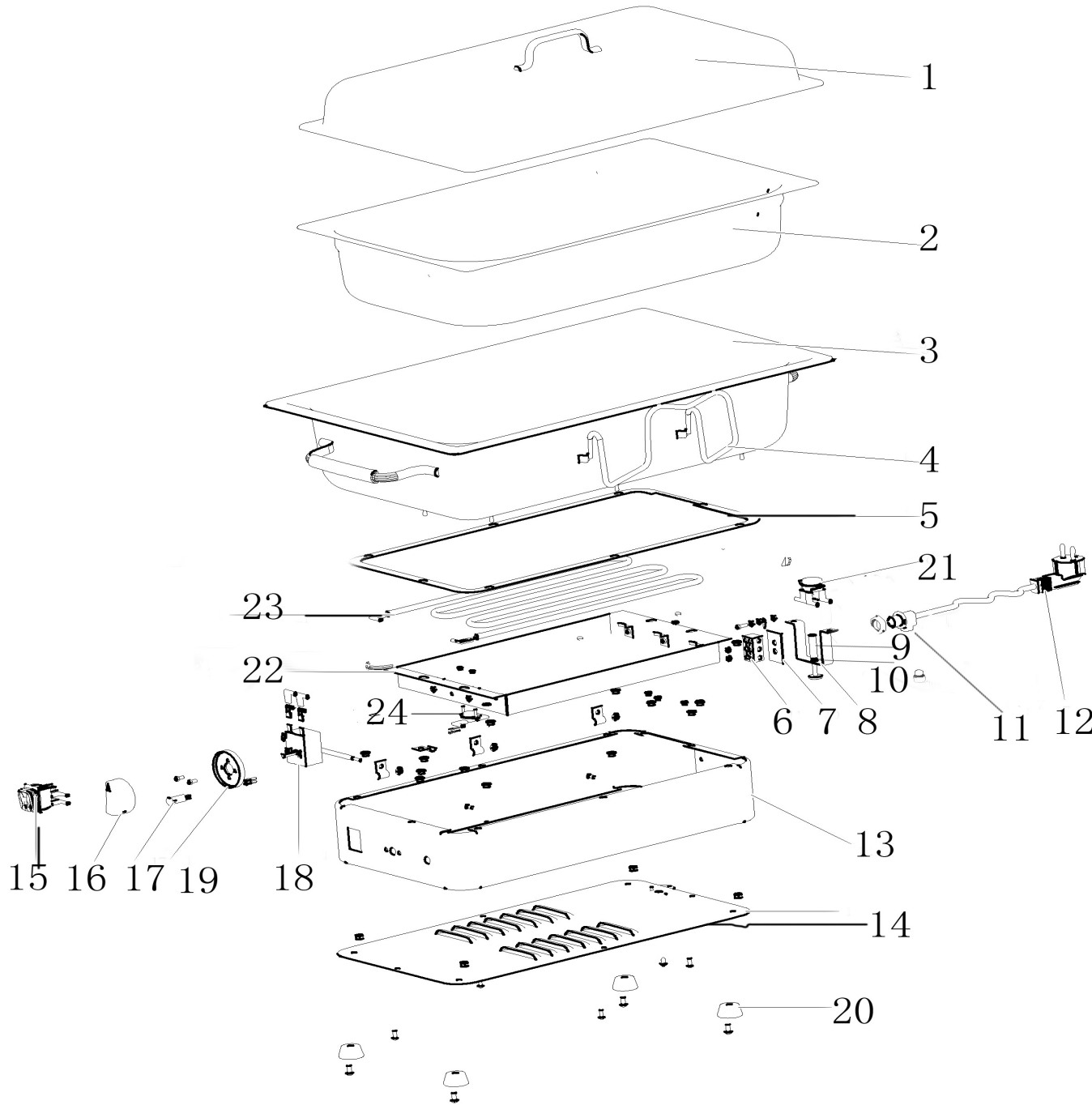


Electric Chafing dish ZCK100S



Item No.	Parts Name
1	Upper cover
2	Food pan
3	Water pan
4	Hooking for the upper cover
5	Silicon cushion
6	Ceramics connection terminals
7	Gasket
8	Reset holder
9	Reset pole
10	Spring
11	Cable connector
12	Electric line and plug
13	Based frame
14	Bottom board
15	Switch
16	Knob
17	Indicator light
18	EGO thermostat
19	Ring for the knob
20	Feet
21	Thermostat 2
22	Tray for the heating element
23	Heating element
24	Thermostat 1